

860 MHz Optical Receiver Integrated Circuit

FEATURES

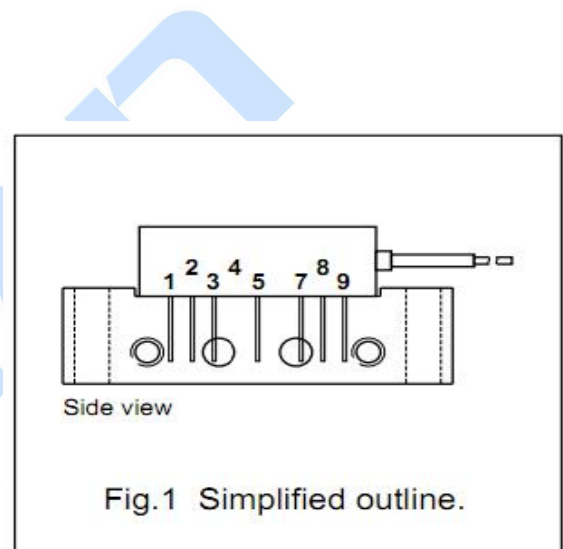
- ◆Excellent linearity
- ◆Excellent distortion performance
- ◆Low input noise
- ◆High output level

PINNING - SOT115U

PIN	DESCRIPTION
1	current monitor
2	common
3	common
5	+V _B of the amplifier
7	common
8	common
9	output

DESCRIPTION

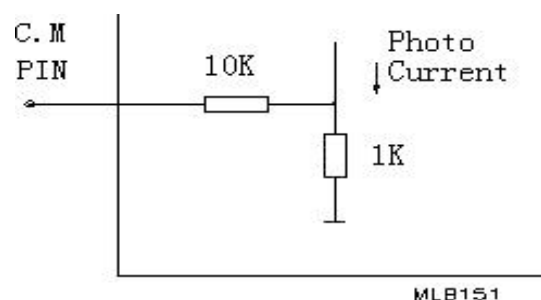
The supply voltage of KN887B0-6 is 6VDC .The module is in a package interchangeable for SOT115U(see Fig.1), has a FC/APC or SC/APC Connector, with a single mode optical input suitable for 1100 to 1650nm wavelengths , a terminal to monitor the photo diode current and an electrical output having a characteristic impedance of 75Ω . Optical power receiving at -8 ~ +2dBm , RF output is 87dBuV/Ch(@0dBm input) .



HANDLING

Fiberglass optical coupling :
 maximum tensile strength= 5 N ;
 minimum bending radius=35mm.

PHOTODIODE CURRENT MONITOR PIN



CURRENT MONITOR PIN

860 MHz Optical Receiver Integrated Circuit

LIMITING VALUES

In accordance With the Absolute Maximum Rating System

SYMBOL	PARAMETER	CONDITION	MIN	MAX	UNITS
P_{in}	Input Optical Power			3	mw
T_{stg}	Storage temperature		-40	+85	°C
T_c	Operating temperature		-20	+85	°C
ESD	ESD sensitivity	Human body model; R=1.5KΩ ;C=100pF	500		V

CHARACTERISTICS

T_{mb}=25°C, V_B=6VDC, Z_s=Z_L=75 Ω

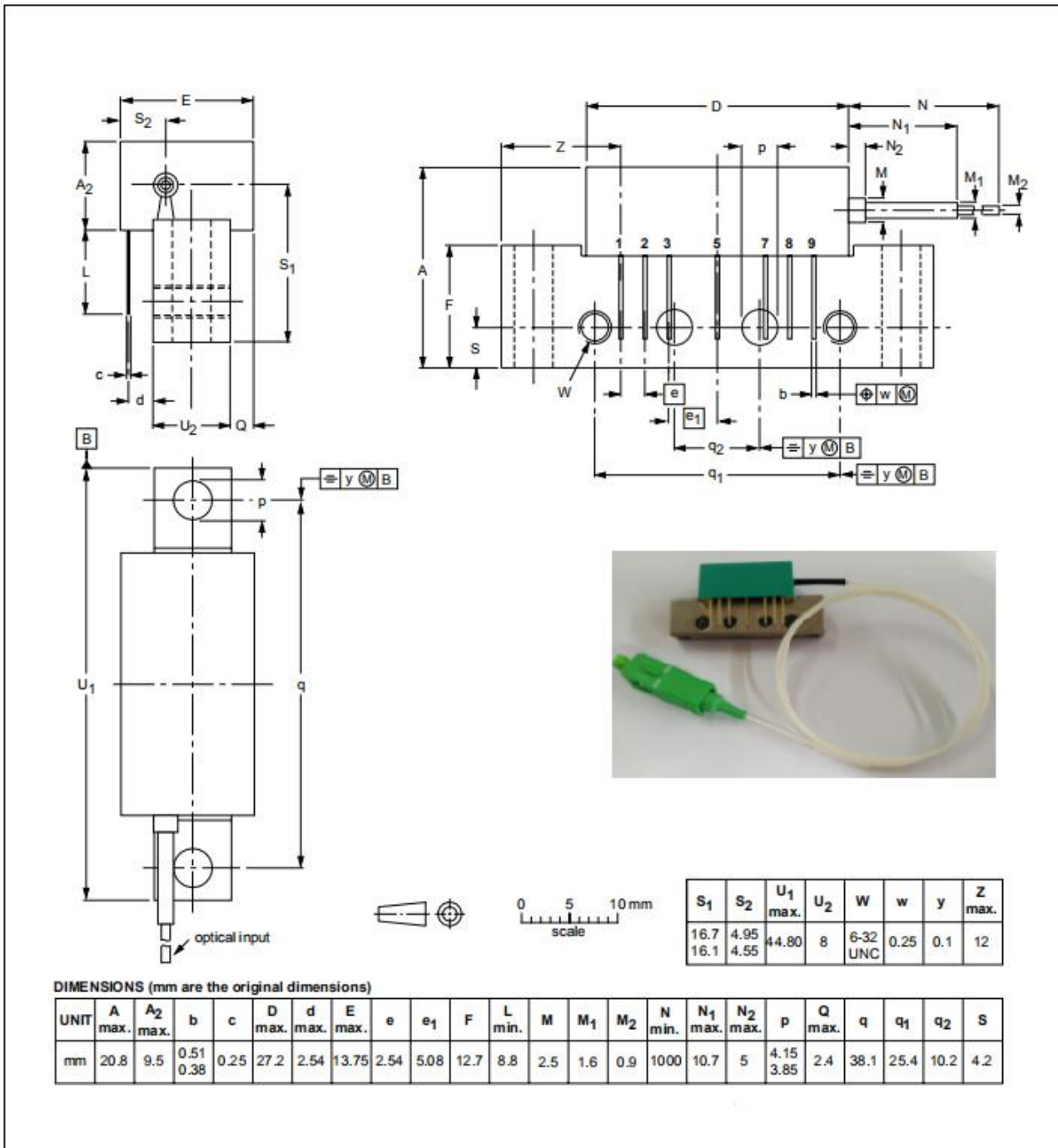
SYMBOL	PARAMETER	UNIT	MIN.	TYP.	MAX.	CONDITIONS
f	Frequency range	MHz	40		860	
S_λ	Spectral sensitivity	A/W	0.85			λ=1310±20nm
		A/W	0.9			λ=1550±20nm
λ	Optical wavelength	nm	1100		1650	
V_{cm}	Voltage of C.M Pin	mV	850			λ=1310nm , 0dBm input
V_o	Output Level	dBμV		87		Optical power receiving at 0dBm, m=3.7%, Reference value @543.25MHz
FL	Flatness of frequency response	dB	-	-	±0.65	f=40 to 860 MHz
CTB	Composite Triple Beat	dB	-	-68	-	60 channels flat, m=3.7%;
CSO	Composite Second Order distortion	dB	-	-62	-	measured at 543.25MHz; Optical power receiving at 0dBm
C/N	Carrier to Noise Ratio	dB	-	51	-	Optical power receiving at 0dBm
S₂₂	Output Return losses	dB	-	-	-12	f=40 to 860 MHz
	Optical input return losses	dB	-	-	-45	
I_{tot}	Total Current Consumption	mA	140	160	180	V _B =6V

860 MHz Optical Receiver Integrated Circuit

PACKAGE OUTLINE

Rectangular single-ended package; aluminium flange; 2 vertical mounting holes; 2 x 6-32 UNC and 2 extra horizontal mounting holes; 7 gold-plated in-line leads; optical input;

SOT115U



UNIT:mm